



BRITISH SOLAR

BS-320P-340P-72

Polycrystalline module

Characteristics

System Voltage:

The maximum voltage is promoted to 1500V and the module strings are extended by 50% which reduces the overall system BOS.

A Wide Range of Products:

Polycrystalline module with power 275W-340W, depending on configurations. Guaranteed positive tolerance from 0-3% ensures power output reliability.

High Reliability:

Guaranteed mechanical resistance to severe weather conditions for reliable power output. Compliant with IEC 61215 and IEC 61730.

Traceability:

Flash report and embedded bar code ID for each module for complete traceability.

Low-light Performance:

Advanced glass and surface texturing ensure excellent performance in low-light environments.

Severe Weather Resilience:

Certified to withstand: wind load (2400 Pascal) and snow load (5400 Pascal).

Durability against extreme environmental conditions:

High salt mist and ammonia resistance certified by TUV NORD.

A Wide Range of Applications:

Independent systems (households, power supplies for remote areas, remotesystems) and grid-connected photovoltaic power stations (residential, commercial, industrial power supply systems).



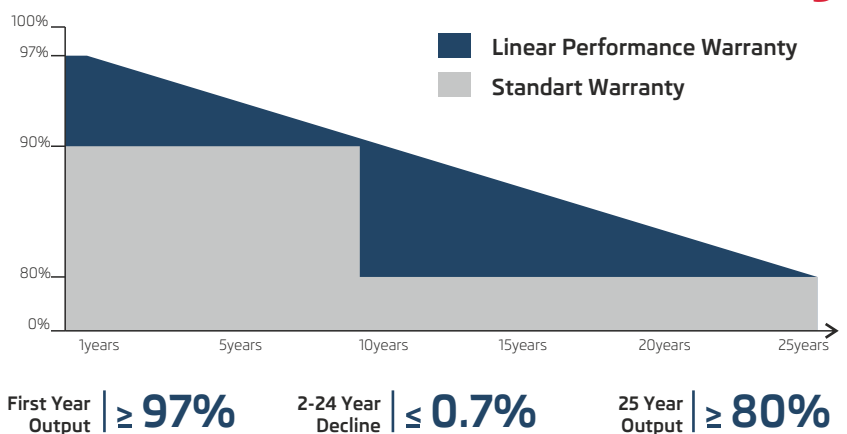
12 years limited product warranty
First year guarantee no less than 97% power output
25 years guarantee no less than 80% power output

Certification



Photon
LABORATORY

Warranty



BS-320P-340P-72



ELECTRICAL CHARACTERISTICS AT STC

MODELS	BS-320P-72	BS-325P-72	BS-330P-72	BS-335P-72	BS-340P-72
Nominal Power (Pmax), W	320	325	330	335	340
Open Circuit Voltage (Voc), V	45,6	45,7	45,8	45,9	46,1
Short Circuit Current (Isc), A	9,15	9,25	9,33	9,4	9,45
Voltage at Nominal Power (Vmp), V	37,1	37,2	37,4	37,5	37,7
Current at Nominal Power (Imp), A	8,63	8,74	8,83	8,94	9,03
Module Efficiency (%)	16,5%	16,8%	17,0%	17,3%	17,5%

NOMINAL MODULE	Power Temperature Coefficient:-0.40%/K
OPERATING TEMPERATURE	Open-Circuit Voltage Temperature Coefficient:-0.32%/K
(NMOT):43 ± 2°C	Short-Circuit Current Temperature Coefficient: 0.05 %/K

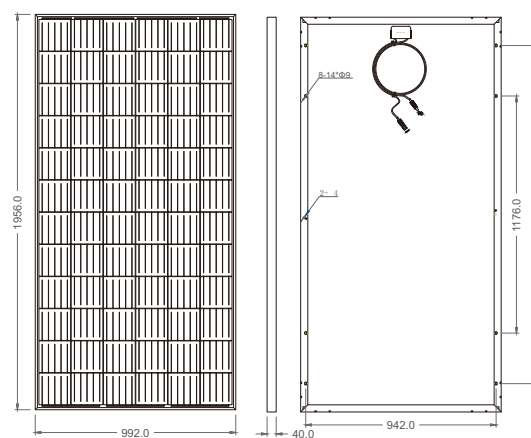
MAXIMUM RATINGS MECHANICAL PARAMETERS:

Operating Temperature	-40~+85°C
Maximum Storage Temperature	-20~+40°C
Class of Protection	Class II
Maximum System Voltage	TUV 1500V/1000V DC
Maximum Overcurrent Protection Rating	15A

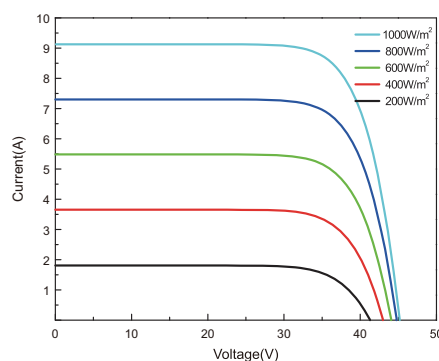
MECHANICAL PARAMETERS:

Cell Type	156.75×156.75mm polycrystalline
Cell Configuration	72 (6×12) PCS in series
Dimension	1956x992x40mm
Weight	22kg
Front Glass	3.2mm, high transmission, low iron, tempered glass
Junction Box	IP67 Rated
Cabels	4.0mm ² ,length:1000mm
Frame	Anodized aluminium-alloy

DIMENSIONS FOR PV MODULE:



I-V CURVES OF PV MODULE:



PACKAGE:

40HQ: 24 pallets, each pallet 27pcs, total 648pcs